

"The aim of art is to represent not the outward appearance of things, but their inward significance."

---ARISTOTLE



Westar Medical Products, Inc.

Phone: 360/435-8900 ♦ Watts: 800/499-3945 ♦ Fax: 425/328-1544
18930 59th Ave N.E. ♦ Arlington, WA 98223
Email: westar_medical@msn.com ♦ Website: www.westarmed.com

OS VIII Oral Surgery Table



Chinner Headrest option
7000-608 \$836
(upgrade \$350)



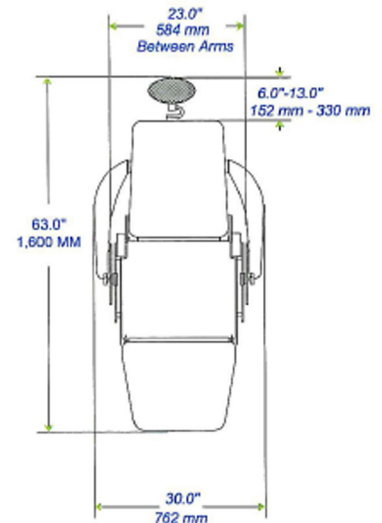
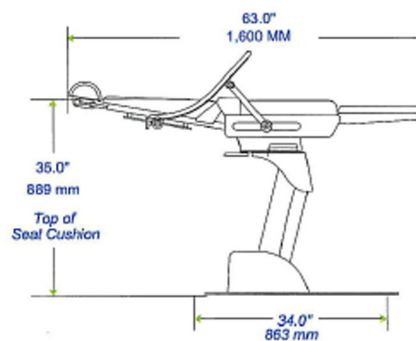
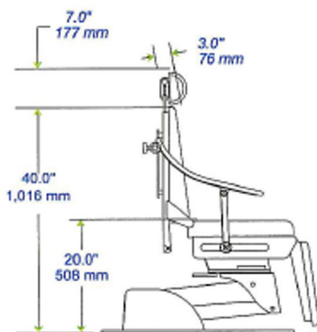
*(shown with optional
Chinner Headrest)*

OS VIII Oral Surgery Table with Standard Upholstery
2000-088 \$7,646

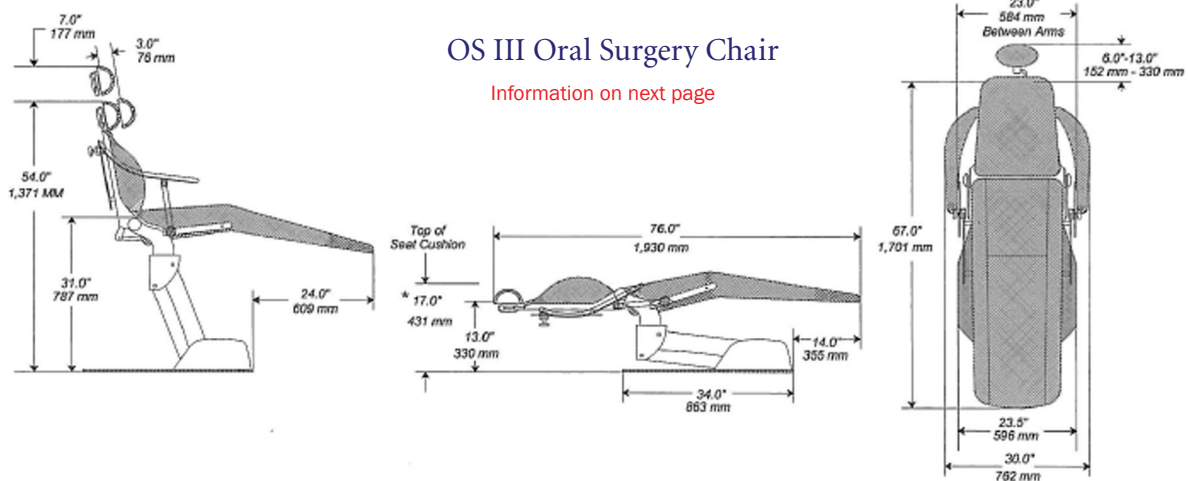


Estimated shipping dimensions and weights:
OS VIII Chair -
40L x 32W x 45H - includes upholstery
402 lbs.

OS VIII Oral Surgery Table



STANDARD FEATURES	PART NO.	MODEL	2000-088
Suggested Retail Price OS VIII Oral surgery electromechanical patient chair			\$7,646
Foot Control with two programmable preset positions and automatic exit (return), 7 function			❖
Electromechanical Cantilever system			❖
All-metal construction with HiGlos powdercoat inside and out			❖
Flat when fully reclined			❖
Synchronized toe articulation			❖
Double-articulating headrest with lock down for surgery feature adjustable for height and wheelchair positioning			❖
Synchronized seat and back tilt			❖
60 degree swivel			❖
Adjustable / Removeable upholstered I. V. arms with one interchangeable pillow			❖
Five year warranty			❖
FACTORY OPTIONS	PART NO.	PRICE	
			❖
Chinner double articulating headrest (can be purchased as upgrade for \$318)	7000-608	\$836	❖
Eight way articulating I. V. arm	2000-220	\$666	❖
Leg and Body strap	2000-223	\$188	❖
Additional I. V. pillow only	7000-116	\$186	❖
Chair mount adapter	2000-226	\$286	❖
Replacement Double articulating headrest with upholstery	7000-021	\$602	❖
Replacement upholstery asepsis	7005-530	\$1,410	❖
Replacement headrest upholstery	7005-041	\$92	❖
Ultraleather upgrade (not plush styling)	1005	\$460	❖



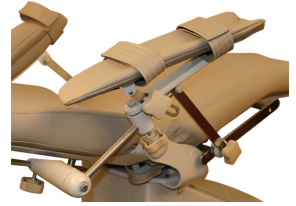
OS III Oral Surgery Chair



*(Shown with optional
Eight-way I. V. Arm)*



Standard I.V. Arm Pillow
(Interchangeable Left and Right)



Eight Way Articulating I. V. Arm option
2000-220 \$666
(Interchangeable Left and Right)



Touchpad Chair Mounted
2000-231 \$426

OS III Oral Surgery Chair with Standard Upholstery
2000-080-2 \$7,074

Estimated shipping dimensions and weights:

OS III Chair -
41L x 32W x 28H - no upholstery
47L x 32W x 39H - with upholstery
300 lbs. plus upholstery 30 lbs.

STANDARD FEATURES	PART NO.	MODEL	2000-080-2
Suggested Retail Price OSIII Oral surgery electromechanical patient chair			\$7,074
Foot Control with two programmable preset positions and automatic exit (return), 7 function			✦
Electromechanical Cantilever system			✦
All-metal construction with HiGlos powdercoat inside and out			✦
Thermal overload protection			✦
Left/Right I. V. arms with one interchangeable pillow			✦
Double-articulating headrest with lock down for surgery feature adjustable for height and wheelchair positioning			✦
Synchronized seat and back tilt			✦
Quick change upholstery			✦
Upholstered arms			✦
Five year warranty			✦
FACTORY OPTIONS	PART NO.	PRICE	
Touchpad with 5 programmable presets and one automatic exit (return)			
Chair mounted	2000-231	\$426	
Delivery mounted	2000-234		
Chinner double articulating headrest (can be purchased as upgrade for \$318)	7000-608	\$836	
Eight way articulating I. V. arm	2000-220	\$666	
Leg and Body strap	2000-223	\$188	
Additional I. V. pillow only	7000-116	\$186	
Height spacer 3" (factory installed only)	2000-119	\$234	
Mobile locking base	7000-371	\$1,420	
Chair mount adapter	2000-226	\$284	
Replacement Double articulating headrest with upholstery	7000-021	\$602	
Replacement upholstery asepsis	7000-535	\$1,410	
Replacement headrest upholstery	7005-041	\$92	
Ultraleather upgrade (not plush styling)	1005	\$460	